

इंटरनेट

मानक

Disclosure to Promote the Right To Information

Whereas the Parliament of India has set out to provide a practical regime of right to information for citizens to secure access to information under the control of public authorities, in order to promote transparency and accountability in the working of every public authority, and whereas the attached publication of the Bureau of Indian Standards is of particular interest to the public, particularly disadvantaged communities and those engaged in the pursuit of education and knowledge, the attached public safety standard is made available to promote the timely dissemination of this information in an accurate manner to the public.

“जानने का अधिकार, जीने का अधिकार”

Mazdoor Kisan Shakti Sangathan

“The Right to Information, The Right to Live”

“पुराने को छोड़ नये के तरफ”

Jawaharlal Nehru

“Step Out From the Old to the New”

IS 7232 (1974): Method for imhoff cone test [CED 24: Public Health Engineering.]



“ज्ञान से एक नये भारत का निर्माण”

Satyanarayan Gangaram Pitroda

“Invent a New India Using Knowledge”



“ज्ञान एक ऐसा खजाना है जो कभी चुराया नहीं जा सकता है”

Bhartrhari—Nitiśatakam

“Knowledge is such a treasure which cannot be stolen”

BLANK PAGE



“Reaffirmed 1982”

IS : 7232 - 1974

Indian Standard
METHOD FOR
IMHOFF CONE TEST

UDC 628.312 : 543 [54-149]



© Copyright 1974

INDIAN STANDARDS INSTITUTION
MANAK BHAVAN, 9 BAHADUR SHAH ZAFAR MARG
NEW DELHI 110001

July 1974



Indian Standard

METHOD FOR IMHOFF CONE TEST

Public Health Engineering Equipment Sectional Committee, BDC 40

Chairman

Representing

ADVISER (PHE)

Ministry of Health & Family Planning, New Delhi

Members

DEPUTY ADVISER (PHE) [<i>Alternate to Adviser (PHE)</i>]	
DR T. R. BHASKARAN	Geo-Miller & Co Ltd, Calcutta
SHRI R. N. KAR ROY (<i>Alternate</i>)	
DR B. V. BHOOTA	All India Manufacturers' Organization, Bombay
SHRI M. R. BODAS	Irrigation & Power Department, Government of Maharashtra
SHRI P. V. BHUTKAR (<i>Alternate</i>)	
SHRI R. C. P. CHAUDHARY	Engineers India Ltd, New Delhi
SHRI K. RUDRAPPA (<i>Alternate</i>)	
SHRI N. D. CHHABRIA	Dorr-Oliver India Ltd, Bombay
CHIEF ENGINEER	Local Self Government Engineering Department, Lucknow
SUPERINTENDING ENGINEER (<i>Alternate</i>)	
CHIEF ENGINEER	Public Health Engineering Department, Government of Jammu & Kashmir
SUPERINTENDING ENGINEER (<i>Alternate</i>)	
CHIEF ENGINEER (WATER)	Municipal Corporation of Delhi
CITY ENGINEER	Bombay Municipal Corporation
SHRI L. P. BORKAR (<i>Alternate</i>)	
SHRI M. DURAI RAJAN	Tamil Nadu Water Supply & Drainage Board
SUPERINTENDING ENGINEER (EXECUTION) (<i>Alternate</i>)	
SHRI M. Y. MADAN	Hindustan Construction Co Ltd, Bombay
SHRI C. E. S. RAO (<i>Alternate</i>)	
SHRI S. R. MAJUMDER	Paterson Engineering Company (India) Limited, Calcutta
SHRI A. M. LAHIRI (<i>Alternate</i>)	
SHRI S. K. MAZUMDER	Department of Health, Government of West Bengal
SHRI S. MITTER	Corporation of Calcutta
SHRI B. NANDY (<i>Alternate</i>)	
SHRI R. N. MUKHERJEE	Calcutta Metropolitan Planning Organization, Calcutta
SHRI S. S. NAIK	Hydraulic & General Engineers Pvt Ltd, Bombay
SHRI H. D. PATEL (<i>Alternate</i>)	

(Continued on page 2)

© Copyright 1974

INDIAN STANDARDS INSTITUTION

This publication is protected under the *Indian Copyright Act (XIV of 1957)* and reproduction in whole or in part by any means except with written permission of the publisher shall be deemed to be an infringement of copyright under the said Act

(Continued from page 1)

<i>Members</i>	<i>Representing</i>
SHRI V. P. NARAYANAN NAYAR	Public Health Department, Government of Kerala
SHRI S. RAGHAVACHARI	Corporation of Madras
SHRI D. R. JAGANNATH RAO	Public Health Engineering Department, Government of Andhra Pradesh
SHRI D. V. S. MURTHY (<i>Alternate</i>)	
PROF S. SUBBA RAO	All India Institute of Hygiene & Public Health, Calcutta
SHRI SAT PAL SINGH	Directorate General of Technical Development, New Delhi
SHRI J. L. SETH	Public Health Engineering Department, Government of Haryana
SHRI L. M. CHAUDHARI (<i>Alternate</i>)	
COL K. B. SETH	Engineer-in-Chief's Branch, Army Headquarters
SHRI R. B. SUJAN (<i>Alternate</i>)	
DR R. H. SIDDIQI	Central Public Health Engineering Research Institute (CSIR), Nagpur
SHRI B. B. BHALERAO (<i>Alternate</i>)	
SHRI D. R. SINGAL	Public Health Engineering Department, Government of Punjab
SHRI P. S. TENDOLKAR	Candy Filters Ltd, Bombay
SHRI C. L. SASTRI (<i>Alternate</i>)	
SHRI C. VISWESWARIAH	Public Health Engineering Department, Mysore
SHRI D. AJITHA SIMHA, Director (Civ Engg)	Director General, ISI (<i>Ex-officio Member</i>)

Secretary

SHRI VINOD KUMAR
Deputy Director (Civ Engg), ISI

Sewage Treatment Equipment Subcommittee, BDC 40 : 2

Convener

SHRI N. MAJUMDER
Central Public Health Engineering Research Institute (CSIR), Nagpur

Members

SHRI B. B. BHALERAO	} (<i>Alternates to Shri N. Majumder</i>)
DR R. H. SIDDIQI	
SHRI R. N. CHAKRABARTY	Geo-Miller & Co Ltd, Calcutta
SHRI D. K. CHAUDHARY (<i>Alternate</i>)	
SHRI N. D. CHHABRIA	Dorr-Oliver India Ltd, Bombay
DEPUTY MUNICIPAL COMMISSIONER (SPECIAL ENGINEER)	Bombay Municipal Corporation
SHRI L. P. BORKAR (<i>Alternate</i>)	
SHRI M. Y. MADAN	Hindustan Construction Co Ltd, Bombay
SHRI P. S. WADIA (<i>Alternate</i>)	
PROF B. L. MAHABAL	Victoria Jubilee Technical Institute, Bombay
SHRI H. N. MISRA	EIMCO-KCP Ltd, Madras
SHRI A. SHANKAR (<i>Alternate</i>)	

(Continued on page 6)

Indian Standard

METHOD FOR IMHOFF CONE TEST

0. FOREWORD

0.1 This Indian Standard was adopted by the Indian Standards Institution on 22 February 1974, after the draft finalized by the Public Health Engineering Equipment Sectional Committee had been approved by the Civil Engineering Division Council.

0.2 Imhoff cone test is commonly conducted for determining the settleable suspended matter in waste waters.

0.3 In the formulation of this standard due weightage has been given to international co-ordination among the standards and practices prevailing in different countries in addition to relating it to the practices in the field in this country. This has been met by deriving assistance from the following publications:

Standard methods for the examination of water and waste water. 1970. Ed 12. A.P.H.A., A.W.W.A., W.P.C.F., A.P.H.A., Inc, Broadway, New York.

FAIR (G M) and GEYER (J C). Water supply and waste water disposal. John Wiley & Sons Inc, New York.

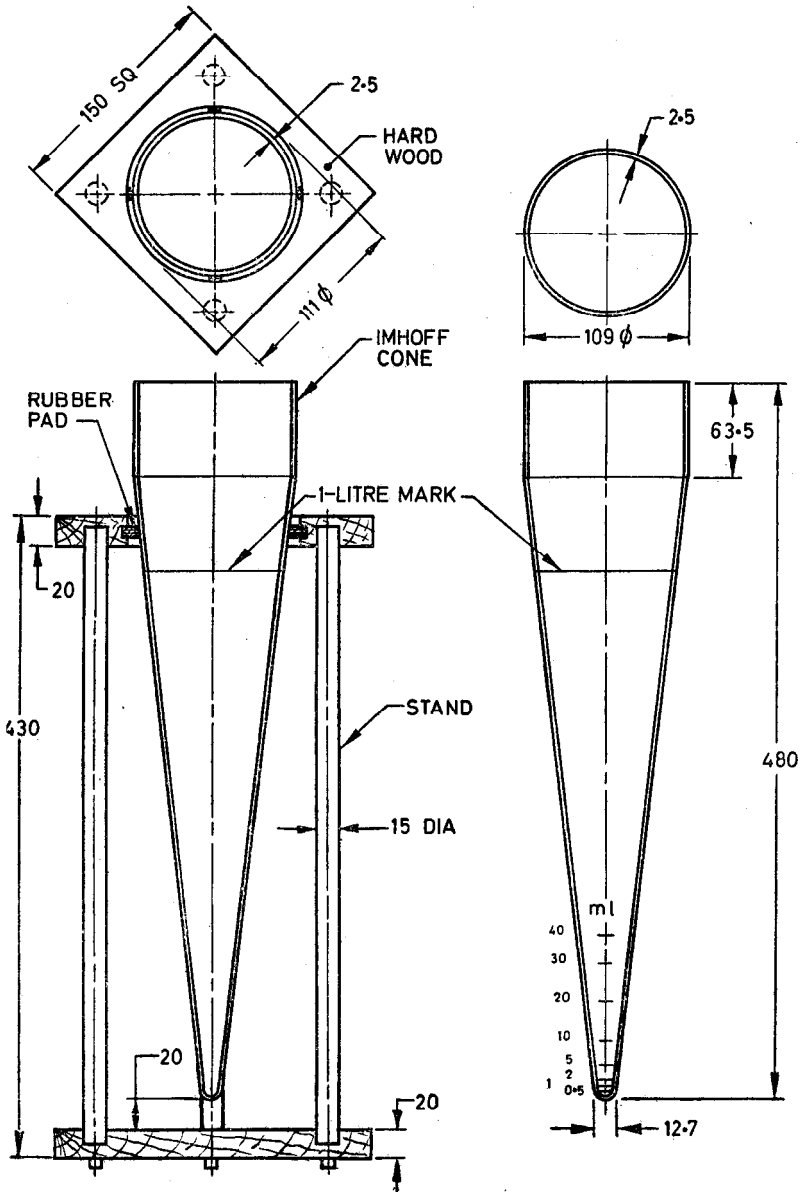
SAWYER (C N) and MAC CARTY (P L). Chemistry for sanitary engineers. Ed 2. McGraw Hill Book Co, New York.

1. SCOPE

1.1 This standard lays down the procedure for the determination of settleable suspended matter in waste waters by Imhoff cone test.

2. EQUIPMENT

2.1 The equipment shall consist of an Imhoff cone made of colourless neutral glass with a stand as illustrated in Fig. 1 and 2.



All dimensions in millimetres.

FIG. 1 IMHOFF CONE WITH STAND

All dimensions in millimetres.

FIG. 2 DETAILS OF IMHOFF CONE

3. PROCEDURE

3.1 The Imhoff cone is filled to the 1-litre mark with a thoroughly mixed sample. The sample is allowed to settle for 45 minutes. The sides of the cone shall then be gently stirred with a rod or by spinning to dislodge any deposit on the side of the vessel. The sample shall then be allowed to settle for another 15 minutes. While conducting this test, samples should be adjusted to near room temperature and the test conducted in a location where direct sunlight does not interfere with normal settlement of the matter.

4. EVALUATION AND EXPRESSION OF RESULTS

4.1 The volume of settleable matter in the cone shall be recorded as ml/l.

(*Continued from page 2*)

Members

SHRI S. S. NAIK

SHRI H. D. PATEL (*Alternate*)

DR S. RAMACHANDRA

SHRI S. NATARAJAN (*Alternate*)

PROF S. SUBBA RAO

SUPERINTENDING ENGINEER

Representing

Hydraulic & General Engineers Pvt Ltd, Bombay

Central Mechanical Engineering Research Institute
(CSIR), Durgapur

All India Institute of Hygiene & Public Health,
Calcutta

Local Self Government Engineering Department,
Lucknow

INDIAN STANDARDS
ON
PUBLIC HEALTH ENGINEERING EQUIPMENT

- IS:**
6280-1971 Sewage screens
6279-1971 Equipment for grit removal devices
7090-1973 Rapid mixing equipment

INDIAN STANDARDS INSTITUTION

Manak Bhavan, 9 Bahadur Shah Zafar Marg, NEW DELHI 110001

Telephone : 27 01 31 (20 lines)

Telegrams : Manaksanstha

Branch Offices:

	Telephone
'Sadhna', Nurmohamed Shaikh Marg, Khanpur, AHMEDABAD 380001	2 03 91
F Block, Unity Bldg, Narasimharaja Square, BANGALORE 560002	2 76 49
534 Sardar Vallabhbhai Patel Road, BOMBAY 400007	85 69 44
5 Chowringhee Approach, CALCUTTA 700013	23-08 02
Flat No. 1030-31 (First Floor), Sector 22B, CHANDIGARH 160022	2 83 20
5-8-56/57 Nampally Station Road, HYDERABAD	4 57 71
117/418 B Sarvodaya Nagar, KANPUR 208005	82 72
54 General Patters Road, MADRAS 600002	8 37 81
B. C. I. Bldg (Third Floor), Gandhi Maidan East, PATNA 800004	2 56 55