

इंटरनेट

मानक

Disclosure to Promote the Right To Information

Whereas the Parliament of India has set out to provide a practical regime of right to information for citizens to secure access to information under the control of public authorities, in order to promote transparency and accountability in the working of every public authority, and whereas the attached publication of the Bureau of Indian Standards is of particular interest to the public, particularly disadvantaged communities and those engaged in the pursuit of education and knowledge, the attached public safety standard is made available to promote the timely dissemination of this information in an accurate manner to the public.

“जानने का अधिकार, जीने का अधिकार”

Mazdoor Kisan Shakti Sangathan

“The Right to Information, The Right to Live”

“पुराने को छोड़ नये के तरफ”

Jawaharlal Nehru

“Step Out From the Old to the New”

IS 7548 (1992): Vase for store tent- [CED 9: Timber and Timber Stores]



“ज्ञान से एक नये भारत का निर्माण”

Satyanarayan Gangaram Pitroda

“Invent a New India Using Knowledge”



“ज्ञान एक ऐसा खजाना है जो कभी चुराया नहीं जा सकता है”

Bhartrhari—Nitiśatakam

“Knowledge is such a treasure which cannot be stolen”

BLANK PAGE



भारतीय मानक
भण्डार तम्बू के लिए वेस — विशिष्ट
(पहला पुनरीक्षण)

Indian Standard

VASE FOR STORE TENT — SPECIFICATION
(*First Revision*)

UDC 685.531.054 : 674.77

© BIS 1992

BUREAU OF INDIAN STANDARDS
MANAK BHAVAN, 9 BHADUR SHAH ZAFAR MARG
NEW DELHI 110002

FOREWORD

This Indian Standard (First Revision) was adopted by the Bureau of Indian Standards, after the draft finalized by the Timber Stores Sectional Committee had been approved by the Civil Engineering Division Council.

The vase for store tent is a tentage accessory for fitting at the top of pole standing No. 1 (*see* IS 7344 : 1974 'Specification for bamboo tent poles').

This standard was first published in 1975. In this revision, the list of timber species suitable for the vase has been completely revised; a sampling clause for sample size and criterion for conformity has been added and some changes have been made in the layout of the specification.

For the purpose of deciding whether a particular requirement of this standard is complied with, the final value, observed or calculated, expressing the result of a test or analysis, shall be rounded off in accordance with IS 2 : 1960 'Rules for rounding off numerical values (*revised*)'. The number of significant places retained in the rounded off value should be the same as that of the specified value in this standard.

Indian Standard

VASE FOR STORE TENT — SPECIFICATION

(*First Revision*)

1 SCOPE

1.1 This standard covers the requirements of the vase for store tent 15 m × 6 m.

2 REFERENCES

2.1 The Indian Standards listed in Annex A are necessary adjuncts to this standard.

3 TERMINOLOGY

3.1 For the purpose of this standard, the definitions given in IS 707 : 1976 shall apply.

4 MATERIALS

4.1 Timber

Any of the species of timber given in Annex B shall be used for the manufacture of the vase.

4.1.1 The blank shall be reasonably straight-grained and shall be well seasoned to a moisture content not exceeding 15 percent. It shall be free from centre heart (pith), sapwood (except in timbers Haldu, Kaim and Kanju) any kind of decay (rot), insect attack, dead knots, shakes, splits and cracks (except hair cracks).

4.2 Guy Ropes

Coir ropes, hawser laid, 16 mm and shall conform to IS 1410 : 1973.

4.3 Copper Naphthenate

Shall conform to IS 1078 : 1973.

4.4 Shellac Varnish

Shall conform to IS 347 : 1975.

4.5 Lacquer Cellulose

Shall conform to IS 349 : 1955.

4.6 Petroleum Hydrocarbon Solvent 60/60

Shall conform to IS 1745 : 1975.

5 MANUFACTURE

5.1 The vase shall be turned to the shape and design as shown in Fig. 1. The hole shall be neatly and centrally drilled, as shown in Fig. 1.

5.1.1 The vase shall be finished smooth all over by using sand paper and then properly varnished or lacquered. After the varnish/lacquer has thoroughly dried, the vase shall be fastened at the neck with the guy ropes by splicing, as shown in Fig. 1.

6 DIMENSIONS AND TOLERANCES

6.1 The vase shall conform to the dimensions, as shown in Fig. 1.

6.2 Normal manufacturing tolerances shall be permissible on all dimensions.

7 TREATMENT

7.1 The vases, if manufactured from timbers Haldu, Kaim, Kanju and Jhingan shall be treated by dipping for 15 seconds in the 10 percent solution of copper naphthenate in petroleum hydrocarbon solvent.

8 WORKMANSHIP AND FINISH

8.1 The vases shall be finished smooth all over and sharp edges, if any, rounded off. The guy ropes shall be properly fastened as shown in Fig. 1.

8.2 The general workmanship and finish shall be reasonably good.

9 SAMPLING

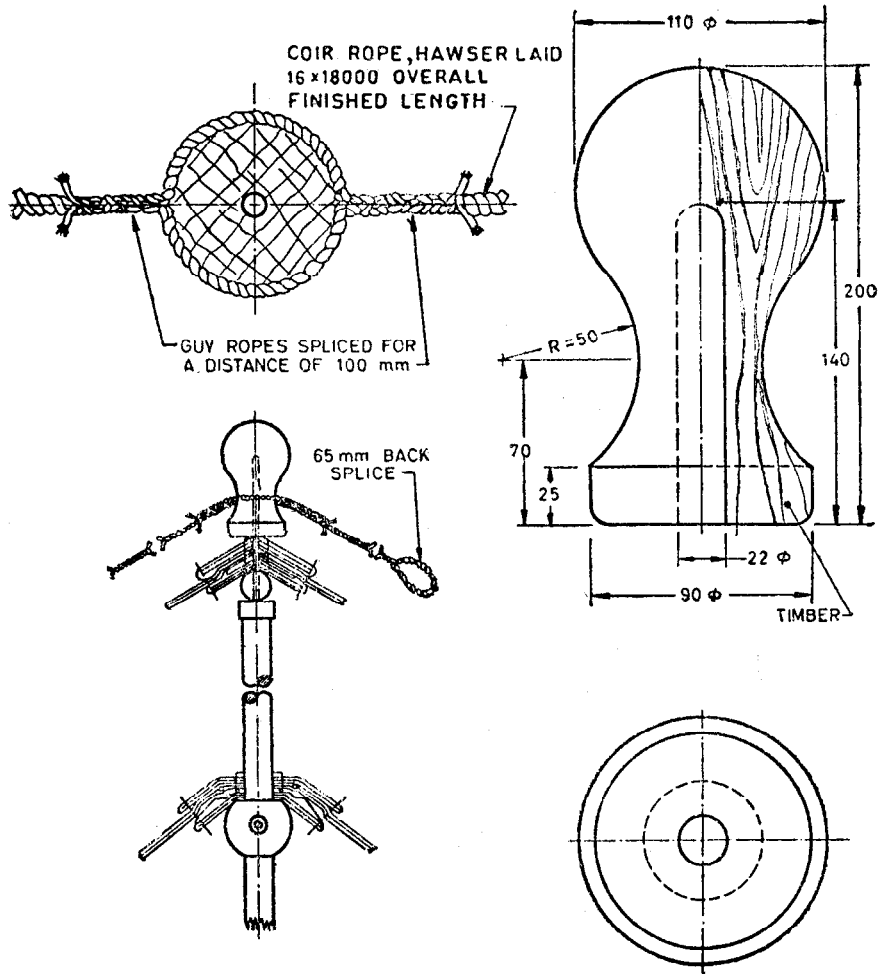
9.1 In any consignment, all the vases shall be grouped together to constitute a lot.

9.2 The number of vases to be selected at random from a lot shall depend upon its size and shall be in accordance with col 1 and 2 of Table 1.

Table 1 Sample Size and Criterion for Conformity

Lot Size	Sample Size	Permissible No. of Defective Vases
(1)	(2)	(3)
Up to 300	6	0
301 to 500	7	0
501 to 800	8	0
801 and above	10	1

9.3 The samples selected as in 9.2 shall be tested for moisture content, dimensions and workmanship and finish.



All dimensions in millimetres.

FIG. 1 VASE FOR STORE TENT 15 m × 6 m

9.4 Criteria for Conformity

The lot from which the samples are drawn according to Table 1, if found conforming to the requirements of the standard, shall be visually inspected for visual defects, workmanship and finish. Any vase failing to satisfy the requirements for those characteristics shall be rejected. Those vases, which pass the visual examination shall be accepted.

10 MARKING

10.1 Unless otherwise specified, each vase shall be

legibly and indelibly marked with the following information:

- a) Manufacturer's name or initials or recognized trade-mark, if any;
- b) Year of manufacture; and
- c) Species of timber (see 4.1 and Annex B).

10.1.1 Each vase may also be marked with the Standard Mark.

11 PACKING

11.1 Unless otherwise specified, fifteen vases shall be properly packed in a bag made of any suitable jute cloth.

ANNEX A
(Clause 2.1)

LIST OF REFERRED INDIAN STANDARDS

<i>IS No.</i>	<i>Title</i>	<i>IS No.</i>	<i>Title</i>
347 : 1975	Specification for varnish, shellac, for general purposes (<i>first revision</i>)	1078 : 1987	Specification for copper naphthenate (<i>second revision</i>)
349 : 1981	Specification for lacquer, cellulose nitrate, clear, finishing, glossy for metal (<i>first revision</i>)	1410 : 1983	Specification for coir ropes (<i>second revision</i>)
707 : 1976	Glossary of terms applicable to timber technology and utilization (<i>second revision</i>)	1745 : 1978	Specification for petroleum hydrocarbon solvents (<i>second revision</i>)

ANNEX B
(Clause 4.1)

SPECIES OF TIMBER

<i>Botanical Name</i>	<i>Standard Trade Name</i>	<i>Abbreviated Symbol</i>
Acacia arabica	Babul	BAB
Adina cordifolia	Haldu	HAL
Artocarpus chaplasha	Chaplash	CHP
Artocarpus heterophyllus	Kathal	KAT
Artocarpus hirsutus	Aini	AIN
Calophyllum elatum	Poon	POO
Dalbergia sissoo	Sissoo	SIS
Diospyros melanoxylon	Ebony	EBO
Gmelina arborea	Gamari	GAM
Grewia tiliifolia	Dhaman	DHA
Holoptelea integrifolia	Kanju	KAN
Lagerstroemia lanceolata	Benteak	BEN
Lannea coromandelica	Jhingan	JHI
Mitragyna parvifolia	Kaim	KAI
Toona ciliata	Toon	TOO

Standard Mark

The use of the Standard Mark is governed by the provisions of the *Bureau of Indian Standards Act, 1986* and the Rules and Regulations made thereunder. The Standard Mark on products covered by an Indian Standard conveys the assurance that they have been produced to comply with the requirements of that standard under a well defined system of inspection, testing and quality control which is devised and supervised by BIS and operated by the producer. Standard marked products are also continuously checked by BIS for conformity to that standard as a further safeguard. Details of conditions under which a licence for the use of the Standard Mark may be granted to manufacturers or producers may be obtained from the Bureau of Indian Standards.

Bureau of Indian Standards

BIS is a statutory institution established under the *Bureau of Indian Standards Act, 1986* to promote harmonious development of the activities of standardization, marking and quality certification of goods and attending to connected matters in the country.

Copyright

BIS has the copyright of all its publications. No part of these publications may be reproduced in any form without the prior permission in writing of BIS. This does not preclude the free use, in the course of implementing the standard, of necessary details, such as symbols and sizes, type or grade designations. Enquiries relating to copyright be addressed to the Director (Publications), BIS.

Revision of Indian Standards

Indian Standards are reviewed periodically and revised, when necessary and amendments, if any, are issued from time to time. Users of Indian Standards should ascertain that they are in possession of the latest amendments or edition. Comments on this Indian Standard may be sent to BIS giving the following reference :

Doc : No. CED 33 (4885)

Amendments Issued Since Publication

Amend No.	Date of Issue	Text Affected

BUREAU OF INDIAN STANDARDS

Headquarters:

Manak Bhavan, 9 Bahadur Shah Zafar Marg, New Delhi 110002
Telephones : 331 01 31, 331 13 75

Telegrams : Manaksanstha
(Common to all Offices)

Regional Offices:

	Telephone
Central : Manak Bhavan, 9 Bahadur Shah Zafar Marg NEW DELHI 110002	{ 331 01 31 331 13 75
Eastern : 1/14 C. I. T. Scheme VII M, V. I. P. Road, Maniktola CALCUTTA 700054	37 86 62
Northern : SCO 445-446, Sector 35-C, CHANDIGARH 160036	53 38 43
Southern : C. I. T. Campus, IV Cross Road, MADRAS 600113	235 02 16
Western : Manakalaya, E9 MIDC, Marol, Andheri (East) BOMBAY 400093	6 32 92 95

Branches : AHMADABAD. BANGALORE. BHOPAL. BHUBANESHWAR. COIMBATORE.
FARIDABAD. GHAZIABAD. GUWAHATI. HYDERABAD. JAIPUR. KANPUR.
LUCKNOW. PATNA. SRINAGAR. THIRUVANANTHAPURAM.