

इंटरनेट

मानक

### Disclosure to Promote the Right To Information

Whereas the Parliament of India has set out to provide a practical regime of right to information for citizens to secure access to information under the control of public authorities, in order to promote transparency and accountability in the working of every public authority, and whereas the attached publication of the Bureau of Indian Standards is of particular interest to the public, particularly disadvantaged communities and those engaged in the pursuit of education and knowledge, the attached public safety standard is made available to promote the timely dissemination of this information in an accurate manner to the public.

“जानने का अधिकार, जीने का अधिकार”

Mazdoor Kisan Shakti Sangathan

“The Right to Information, The Right to Live”

“पुराने को छोड़ नये के तरफ”

Jawaharlal Nehru

“Step Out From the Old to the New”

IS 910 (1980, Reaffirmed 2007): Specification for Combined Key for Hydrant, Hydrant Cover and Lower Valve (Second Revision). UDC 621.643.52 : 614.843.1 : 621.646.986



“ज्ञान से एक नये भारत का निर्माण”

Satyanarayan Gangaram Pitroda

“Invent a New India Using Knowledge”



“ज्ञान एक ऐसा खजाना है जो कभी चुराया नहीं जा सकता है”

Bhartrhari—Nitiśatakam

“Knowledge is such a treasure which cannot be stolen”



REAFFIRMED

NOV 2007

IS : 910 - 1980  
(REAFFIRMED)

*Indian Standard*

~~IS~~ 2007

SPECIFICATION FOR  
COMBINED KEY FOR HYDRANT,  
HYDRANT COVER AND LOWER VALVE

*(Second Revision)*

---

Second Reprint JANUARY 1998  
(Incorporating Amendment No. 1)

UDC 621.643.52:614.843.1:621.646.986

© *Copyright* 1998

BUREAU OF INDIAN STANDARDS  
MANAK BHAVAN, 9 BAHADUR SHAH ZAFAR MARG  
NEW DELHI 110002



*Indian Standard*  
SPECIFICATION FOR  
COMBINED KEY FOR HYDRANT,  
HYDRANT COVER AND LOWER VALVE  
( *Second Revision* )

Fire Fighting Sectional Committee, BDC 22

<i>Chairman</i>	<i>Representing</i>
SRI P. N. MEHROTRA	Ministry of Home Affairs
<i>Members</i>	
SRI G. B. MENON ( <i>Alternate to</i> Shri P. N. Mehrotra )	
SRI MAHESH C. AGARAWAL	Brijbasi Udyog, Mathura ( UP )
SRI P. S. BANERJEE ( <i>Alternate</i> )	
ASSISTANT SECURITY OFFICER ( FIRE ), NORTHERN RAILWAY	Ministry of Railways
SRI S. R. BANSAL	Steel Authority of India ( Bokaro Steel Plant ), Bokaro Steel City
SRI A. CHATTERJI	Tariff Advisory Committee, Bombay
SRI F. B. SANJANA ( <i>Alternate</i> )	
SRI S. C. CHATTERJEE	West Bengal Fire Services, Calcutta
SRI D. K. BANERJEE ( <i>Alternate</i> )	
SRI N. DEVASAHAYAM	Home Department ( Fire Services ), Government of Tamil Nadu, Madras
SRI V. JAYAPERUMAL ( <i>Alternate</i> )	
SRI R. R. DHOBLEY	Bhabha Atomic Research Centre, Trombay, Bombay
DIRECTOR, FIRE SERVICES	Home ( Police ) Department, Government of Andhra Pradesh, Hyderabad
DEPUTY DIRECTOR, FIRE SERVICES ( <i>Alternate</i> )	
GENERAL SECRETARY	The Institution of Fire Engineers India, New Delhi
BRIG S. B. GHORPADE	Ministry of Defence ( DGI )
SRI P. K. GHOSH ( <i>Alternate</i> )	

( Continued on page 2 )

© Copyright 1981

BUREAU OF INDIAN STANDARDS

This publication is protected under the *Indian Copyright Act ( XIV of 1957 )* and reproduction in whole or in part by any means except with written permission of the publisher shall be deemed to be an infringement of copyright under the said Act.

( Continued from page 1 )

<i>Members</i>	<i>Representing</i>
SRI P. N. GHOSH	Ministry of Defence ( R & D )
SRI A. K. SURI ( <i>Alternate</i> )	
SRI G. N. GIDWANI	Directorate General of Supplies & Disposals, New Delhi
SRI H. C. VERMA ( <i>Alternate</i> )	
SRI GOPAL KRISHAN	Central Building Research Institute ( CSIR ), Roorkee
SRI D. P. GUPTA	Directorate General of Technical Development, New Delhi
SRI J. S. JAMSHEDJI	Steelage Industries Limited ( Minimax Division ), Calcutta
SRI H. K. ERANI ( <i>Alternate</i> )	
JUNIOR MANAGER ( FIRE )	Heavy Engineering Corporation Ltd, Ranchi
SRI S. N. KUNDU	Fire and Safety Appliances Co, Calcutta
SRI S. PAUL ( <i>Alternate</i> )	
MANAGING DIRECTOR	Avon Services ( P & A ) Pvt Ltd, Bombay
TECHNICAL EXECUTIVE ( <i>Alternate</i> )	
SRI L. S. D. MEHERVANJEE	Municipal Corporation of Greater Bombay ( Bombay Fire Brigade )
SRI V. B. NIKAM ( <i>Alternate</i> )	
SRI B. R. MEHTA	Central Industrial Security Force ( Ministry of Home Affairs ), New Delhi
SRI P. C. RATHO	Steel Authority of India ( Rourkela Steel Plant ), Rourkela
SRI C. D. SHARMA ( <i>Alternate</i> )	
SRI K. K. SAWHNEY	Air Foam Industries Pvt Ltd, New Delhi
SRI R. MEHTA ( <i>Alternate</i> )	
SRI P. L. SEBASTIN	Oil & Natural Gas Commission, Dehra Dun
SRI V. V. KIMMATKAR ( <i>Alternate</i> )	
SRI P. H. SETHNA	Kooverji Devshi & Co Pvt Ltd, Bombay
SRI N. T. PANJWANI ( <i>Alternate</i> )	
SRI CHANDRAKANT M. SHAH	Zenith Fire Services, Bombay
SRI M. H. SHAH ( <i>Alternate</i> )	
SRI J. V. SHAH	New Age Industries, Surendranagar ( Gujarat )
SRI B. J. SHAH ( <i>Alternate</i> )	
SRI D. K. SIRKAR	Synthetics & Chemicals Limited, Bareilly
SRI R. S. SUNDARAM	Municipal Corporation of Delhi ( Delhi Fire Services ), Delhi
SRI TARIT SUR	Sur Enamel & Stamping Works Pvt Ltd, Calcutta
SRI S. SUR ( <i>Alternate</i> )	
SRI S. VENKA SWAMY	Directorate General of Civil Aviation, New Delhi
SRI B. V. WAGLE	Urban Development and Public Health Department, Government of Maharashtra, Bombay
SRI V. H. MADKAIKAR ( <i>Alternate</i> )	
SRI G. RAMAN, Director ( Civ Engg )	Director General, ISI ( <i>Ex-officio Member</i> )

*Secretary*

**SRI K. M. MATHUR**  
Deputy Director ( Civ Engg ), ISI

( Continued on page 7 )

*Indian Standard*  
**SPECIFICATION FOR  
 COMBINED KEY FOR HYDRANT,  
 HYDRANT COVER AND LOWER VALVE**  
*( Second Revision )*

**0. FOREWORD**

**0.1** This Indian Standard ( Second Revision ) was adopted by the Indian Standards Institution on 28 August 1980, after the draft finalized by the Fire Fighting Sectional Committee had been approved by the Civil Engineering Division Council.

**0.2** This standard has been formulated to help in production of combined keys of proper specification. This standard was originally published in 1958 and revised in 1972. In this revision two designs, which are currently manufactured in the country have been specified.

**0.3** For the purpose of deciding whether a particular requirement of this standard is complied with, the final value, observed or calculated, expressing the result of a test or analysis, shall be rounded off in accordance with IS : 2-1960\*. The number of significant places retained in the rounded off value should be the same as that of the specified value in this standard.

---

**1. SCOPE**

**1.1** This standard lays down the requirements regarding material, shape and dimensions of combined key for hydrant, hydrant cover and lower valve.

**2. MATERIALS**

**2.1** The steel used shall be of cast steel conforming to IS : 1030-1982†. The pipe portion shall conform to IS : 1239 ( Part I )-1979‡.

\*Rules for rounding off numerical values ( revised ).

†Specification for carbon steel castings for general engineering purposes ( *third revision* ).

‡Specification for mild steel tubes, tubulars and other wrought steel fittings: Part I Mild steel tubes ( *fourth revision* ).

### **3. SHAPE AND DIMENSIONS**

**3.1** The shape and dimensions with tolerances of the two types of the key are given in Fig. 1 and 2. The dimensions against which tolerances are not mentioned shall be taken as nominal dimensions and the tolerances as given in IS : 2102 ( Part 1 )-1980\* shall apply.

### **4. WORKMANSHIP**

**4.1** The key shall be free from burrs and sharp edges. It shall be given two coats of anti-corrosive black paint ( *see* IS : 158-1968† ).

### **5. MARKING**

**5.1** Each key shall be clearly and permanently marked with the following information:

- a) Manufacturer's name or trade-mark,
- b) Type of key, and
- c) Year of manufacture.

**5.1.1** The key may also be marked with Standard mark.

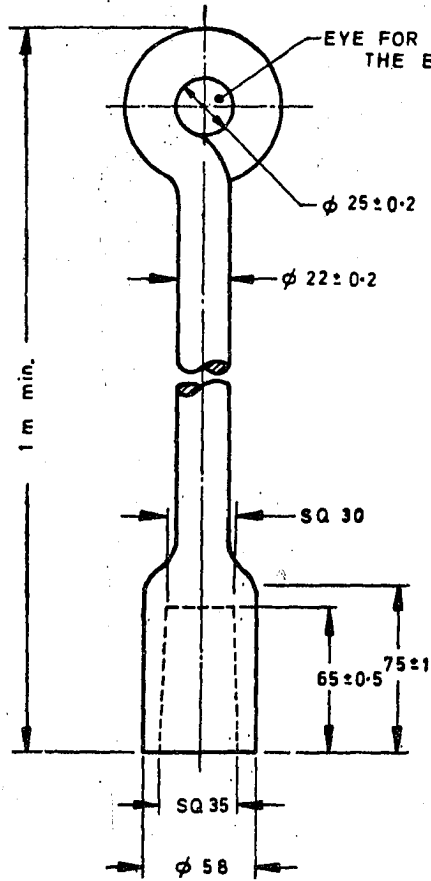
**5.1.2** The use of the Standard Mark is governed by the provisions of the Bureau of Indian Standards Act, 1986 and the Rules and Regulations made thereunder. The details of conditions under which the licence for the use of Standard Mark may be granted to manufacturers or producers may be obtained from the Bureau of Indian Standards.

---

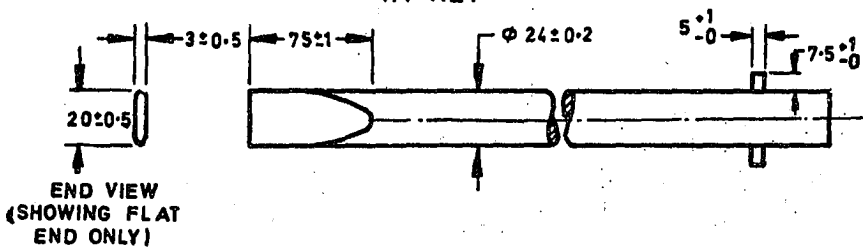
\*General tolerances for dimensions and form and position; Part 1 General tolerances for linear and angular dimensions ( *second revision* ).

†Specification for ready mixed paint, brushing, bituminous, black, lead-free, acid, alkali, water and heat resisting for general purposes ( *second revision* ).





1A KEY

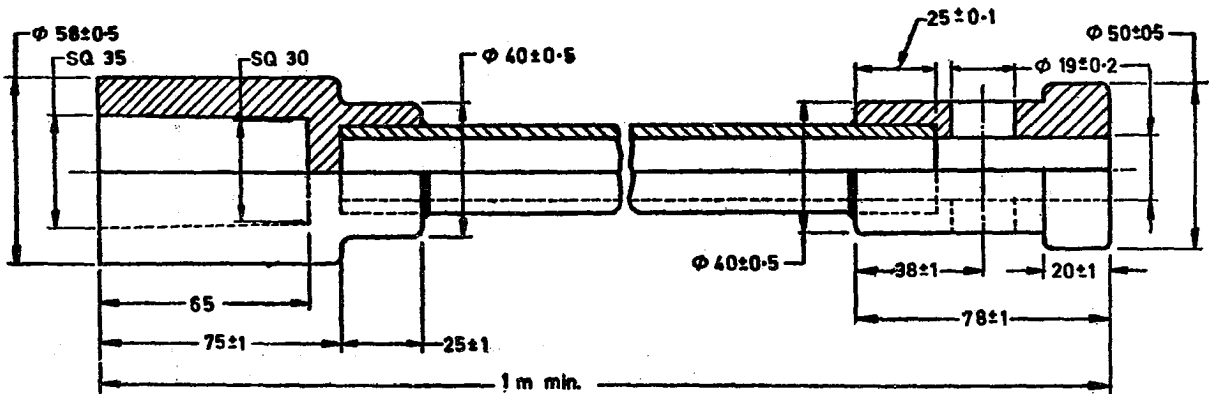


1B BAR

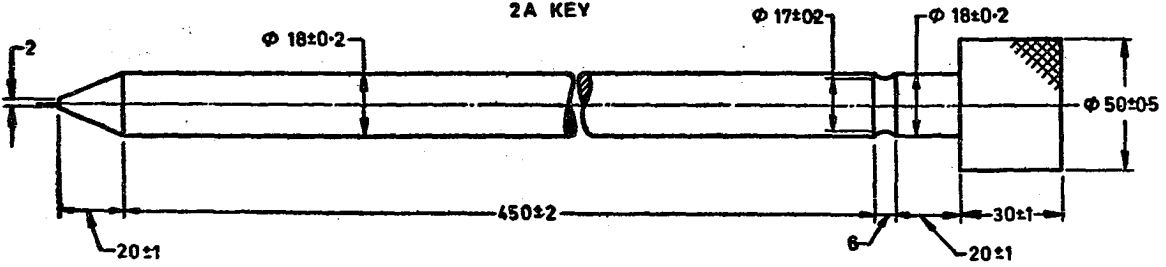
All dimensions in millimetres.

FIG. 1 COMBINED KEY FOR HYDRANT, HYDRANT COVER AND LOWER VALVE

9



2A KEY



2B BAR

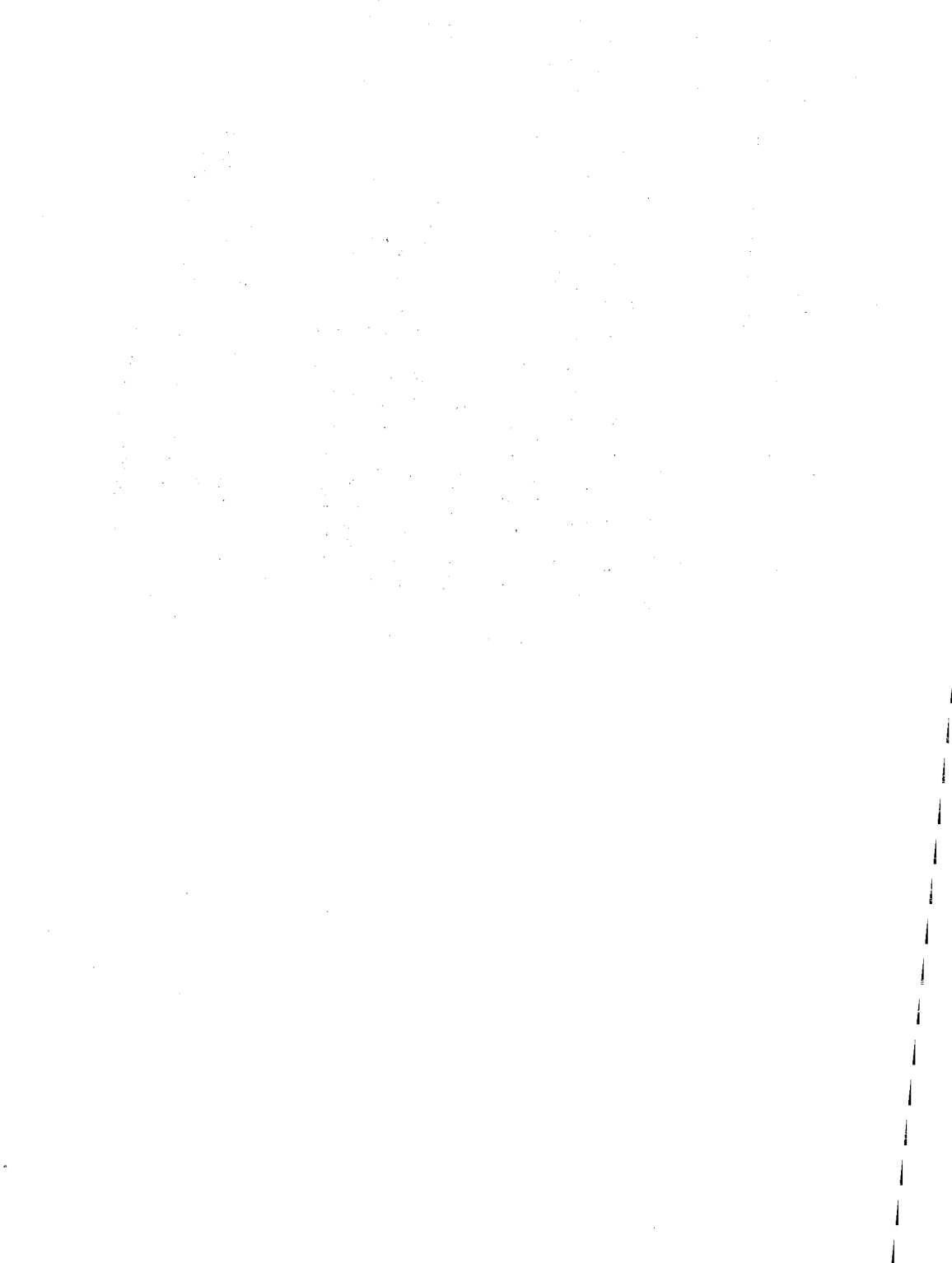
All dimensions in millimetres.

FIG. 2 COMBINED KEY FOR HYDRANT, HYDRANT COVER AND LOWER VALVE ( ALTERNATIVE DESIGN )

( Continued from page 2 )

Water Fittings for Fire Fighting Purposes Subcommittee,  
BDC 22 : 1

<i>Convener</i>	<i>Representing</i>
SHRI P. N. MEHROTRA	Ministry of Home Affairs
<i>Members</i>	
SHRI G. B. MENON ( <i>Alternate</i> to Shri P. N. Mehrotra )	
DIRECTOR	West Bengal Fire Service, Calcutta
GENERAL SECRETARY	The Institution of Fire Engineers India, New Delhi
SHRI P. N. GHOSH	Ministry of Defence ( R & D )
SHRI S. BARDHAN ( <i>Alternate</i> )	
HYDRAULIC ENGINEER	Municipal Corporation of Greater Bombay, Bombay
SHRI L. S. D. MEHERVANJEE ( <i>Alternate</i> )	
SHRI M. R. KAMAT	Mather & Platt Ltd, Calcutta
MAJ S. K. MISRA	Ministry of Defence ( DGI )
SHRI V. K. VAJPAI ( <i>Alternate</i> )	
SHRI K. RUDRAPPA	Engineers India Ltd, New Delhi
SHRI J. V. SHAH	New Age Industries, Surendranagar ( Gujarat )
SHRI B. J. SHAH ( <i>Alternate</i> )	
SHRI S. VENKA SWAMY	Directorate General of Civil Aviation, New Delhi
SHRI R. S. SUNDRAM	Municipal Corporation of Delhi ( Delhi Fire Service ), Delhi



5100

10

## BUREAU OF INDIAN STANDARDS

### Headquarters:

Manak Bhavan, 9 Bahadur Shah Zafar Marg, NEW DELHI 110002

Telephones: 323 0131, 323 3375, 323 9402

Fax : 91 11 3234062, 91 11 3239399, 91 11 3239382

Telegrams : Manaksanstha  
(Common to all Offices)

### Central Laboratory :

Plot No. 20/9, Site IV, Sahibabad Industrial Area, Sahibabad 201010 Telephone 8-77 00 32

### Regional Offices:

Central : Manak Bhavan, 9 Bahadur Shah Zafar Marg, NEW DELHI 110002 323 76 17

\*Eastern : 1/14 CIT Scheme VII M, V.I.P. Road, Maniktola, CALCUTTA 700054 337 86 62

Northern : SCO 335-336, Sector 34-A, CHANDIGARH 160022 60 38 43

Southern : C.I.T. Campus, IV Cross Road, CHENNAI 600113 235 23 15

†Western : Manakalaya, E9, Behind Marol Telephone Exchange, Andheri (East), MUMBAI 400093 832 92 95

### Branch Offices::

'Pushpak', Nurmohamed Shaikh Marg, Khanpur, AHMEDABAD 380001 550 13 48

‡Peenya Industrial Area, 1st Stage, Bangalore-Tumkur Road, BANGALORE 560058 839 49 55

Gangotri Complex, 5th Floor, Bhadbhada Road, T.T. Nagar, BHOPAL 462003 55 40 21

Plot No. 62-63, Unit VI, Ganga Nagar, BHUBANESHWAR 751001 40 36 27

Kalaikathir Buildings, 670 Avinashi Road, COIMBATORE 641037 21 01 41

Plot No. 43, Sector 16 A, Mathura Road, FARIDABAD 121001 8-28 88 01

Savitri Complex, 116 G.T. Road, GHAZIABAD 201001 8-71 19 96

53/5 Ward No.29, R.G. Barua Road, 5th By-lane, GUWAHATI 781003 54 11 37

5-8-56C, L.N. Gupta Marg, Nampally Station Road, HYDERABAD 500001 20 10 83

E-52, Chitaranjan Marg, C- Scheme, JAIPUR 302001 37 29 25

117/418 B, Sarvodaya Nagar, KANPUR 208005 21 68 76

Seth Bhawan, 2nd Floor, Behind Leela Cinema, Naval Kishore Road, LUCKNOW 226001 23 89 23

NIT Building, Second Floor, Gokulpat Market, NAGPUR 440010 52 51 71

Pattliputra Industrial Estate, PATNA 800013 26 23 05

Institution of Engineers (India) Building 1332 Shivaji Nagar, PUNE 411005 32 36 35

T.C. No. 14/1421, University P. O. Palayam, THIRUVANANTHAPURAM 695034 6 21 17

---

\*Sales Office is at 5 Chowringhee Approach, P.O. Princep Street, CALCUTTA 700072 27 10 85

†Sales Office is at Novelty Chambers, Grant Road, MUMBAI 400007 309 65 28

‡Sales Office is at 'F' Block, Unity Building, Narashimaraja Square, BANGALORE 560002 222 39 71